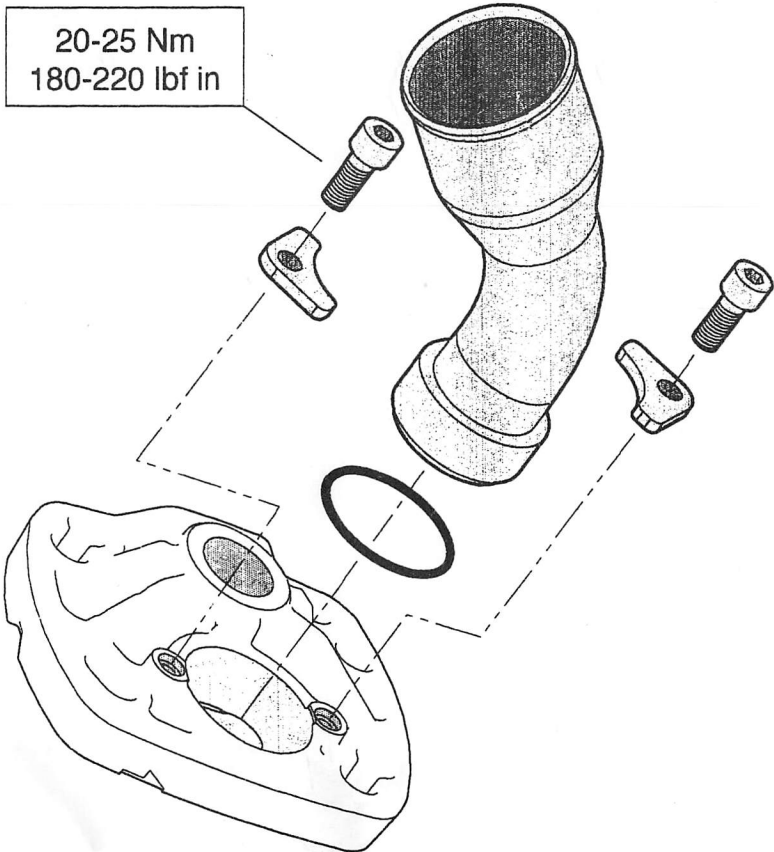


F1plus suction fitting installation



Parker Hannifin AB
Mobile Controls Division
SE-461 82 Trollhättan
Sweden
Tel. +46 520 40 45 00
Fax +46 520 371 05

